



**THE GOOD SHEPHERD PARISH
WORSHIPPING AT
SACRED HEART CHURCH.**

**25 QUEEN STREET, COLNE.
LANCASHIRE BB8 9NB**

Telephone: 01282 863135
Website: www.goodshepherdpendle.org.uk
email: enquiries@goodshepherdpendle.org.uk



This week 8th May in Sacred Heart church.

Sunday Mass: Saturday Vigil 6.00pm, Sunday, 9.30am
Tuesday, Wednesday and Friday 10.00am Eucharistic Service.

Thursday 5.45pm Exposition of the Blessed Sacrament and Benediction
6.30pm Mass

and next week 15th May in Sacred Heart church.

Sunday Mass: Saturday Vigil 6.00pm, Sunday, 9.30am
Tuesday 10.00am Mass
Wednesday 10.00am Mass
Thursday 5.45pm Exposition of the Blessed Sacrament and Benediction
6.30pm Mass
Friday 10.00am Mass
Saturday 11.00am - 11.30am Sacrament of Reconciliation (Confessions)

An Easter Prayer to Our Blessed Lady.

The Regina Caeli.

V. Queen of Heaven, rejoice, alleluia.
R. For He whom you did merit to bear, alleluia.
V. Has risen, as he said, alleluia.
R. Pray for us to God, alleluia.
V. Rejoice and be glad, O Virgin Mary, alleluia.
R. For the Lord has truly risen, alleluia.

Let us pray. O God, who gave joy to the world through the resurrection of your Son, our Lord Jesus Christ, grant we beseech you, that through the intercession of the Virgin Mary, His Mother, we may obtain the joys of everlasting life. Through the same Christ our Lord. Amen.



Each week in Holy Saviour Church, Nelson.

Sunday Mass 11.15am, further information from [St. John Southworth newsletter \(click here\)](#)

SCHOLA CANTORUM

Thank you to those who have shown some enthusiasm for forming a "Schola" at Sacred Heart. Whit Sunday is the Jubilee Bank Holiday and therefore not a good day to start so we will start on the following Sunday.

So our first occasion will be to lead Sung Vespers (Evening Prayer of the Church) and Benediction on the Feast of the Most Holy Trinity, 6pm on Sunday 12th June - Trinity Sunday.

I'll announce a couple of rehearsals nearer the time. It will be informal and open to anyone prepared to give it a try. We are not looking for gifted singers! But if you can sing a bit, it's an advantage.
Thank you. Fr. Peter

SVP meeting

There will be a meeting on Monday 9th of May at 7.15 pm in the Sacred Heart Presbytery. All are welcome.

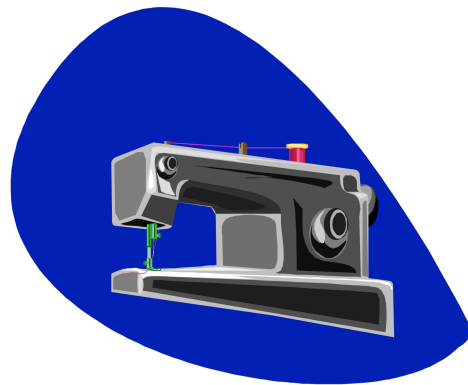
SVP Appeal

The SVP would like to thank you for all your help in welcoming the refugees in the area. Many of the women can sew and are used to making their own traditional clothes.

We are appealing for second hand portable sewing machines, hand or electric.

If you have one you no longer have use for, please consider donating it to the refugees. Either bring it to Church or we can pick it up.

Please phone 01282 854437 to arrange a collection. Thank you.



Tea/coffee after Sunday Mass

Tea and coffee will be available again this Sunday in the hall after Mass. Many thanks for the volunteers who are enabling this to happen.

Should anyone else wish to volunteer, please text/call me on 07932 443854 (Kathy Flynn Driver).

Preparation for the Sacraments of Reconciliation, Eucharist and Confirmation.

The final run of the Sacramental Programme for Reconciliation and Holy Communion will conclude with the final 'catch up' session of Session 2 on Sunday 15th May. The course planned for May has been cancelled since it wasn't needed. The next course will be in 2023, preparing for Reconciliation at the beginning of Lent and Holy Communion around Easter 2023.

The Confirmation course is now underway and we expect this to be run annually between Easter and Pentecost.

Donating to the parish

*The new boxes of weekly envelopes will be available for collection from the back of Sacred Heart and Holy Saviour's churches for the **next two weeks at the weekend masses**. As a reminder, please note that the envelopes carry an identifier number linked to a specific name, so that donations can be tracked for the claiming of Gift Aid. It's important that we have the correct address for those who have Gift Aid, so please inform the parish office if your address has changed. enquiries@goodshepherdpendle.org.uk or **01282 863135**.*

If you have previously been donating using the envelope system, please consider switching to an easier method, which is direct giving by standing order. You just need to complete a standing order mandate form, return it to the parish office and they will send it to your bank.

Finally, if you are a taxpayer, please consider completing a gift aid form, if you haven't already done so, as the parish can claim an additional 25% on your donations.

Both forms (standing order mandate and gift aid) are available in the church porch or can be downloaded from the parish website (newsletter section).

Thank you.

If you wish to make a single or recurring donation to Good Shepherd parish using your phone, please scan the code on the right. It will give you the option to gift aid your donation. It is secure and we will receive at least 99.97% of your donation.

