



**THE GOOD SHEPHERD PARISH  
WORSHIPPING AT  
SACRED HEART CHURCH.**

**25 QUEEN STREET, COLNE.  
LANCASHIRE BB8 9NB**

Telephone: 01282 863135  
Website: [www.goodshepherdpendle.org.uk](http://www.goodshepherdpendle.org.uk)  
email: [enquiries@goodshepherdpendle.org.uk](mailto:enquiries@goodshepherdpendle.org.uk)



**This week 29th May in Sacred Heart church.**

**Sunday Mass: Saturday Vigil 6.00pm, Sunday, 9.30am**  
Tuesday, Wednesday and Friday 10.00am Holy Mass.  
Thursday 5.45pm Exposition of the Blessed Sacrament and Benediction  
6.30pm Mass  
Saturday 11.00am - 11.30am Sacrament of Reconciliation (Confessions)  
1.00pm Wedding Service for Caroline McCaigue and Neil Salway

**and next week 5th June Pentecost Sunday**  
**Sunday Mass: Saturday Vigil 6.00pm, Sunday, 9.30am**

An Easter Prayer to Our Blessed Lady.

**The Regina Caeli.**

V. Queen of Heaven, rejoice, alleluia.  
R. For He whom you did merit to bear, alleluia.  
V. Has risen, as he said, alleluia.  
R. Pray for us to God, alleluia.  
V. Rejoice and be glad, O Virgin Mary, alleluia.  
R. For the Lord has truly risen, alleluia.

Let us pray. O God, who gave joy to the world through the resurrection of your Son, our Lord Jesus Christ, grant we beseech you, that through the intercession of the Virgin Mary, His Mother, we may obtain the joys of everlasting life. Through the same Christ our Lord. Amen.

**Friendship and Bereavement group**

This group will RESUME on Wednesday 1st of June at 10.30 am in Sacred Heart

Presbytery kitchen for coffee/tea, biscuits and a chat. Future outings to be discussed. All are welcome.



**Each week in Holy Saviour Church, Nelson.**

Sunday Mass 11.15am, further information from [St. John Southworth newsletter \(click\)](#)

**Schola**

We will be celebrating the great feast of Trinity Sunday with Sung Vespers (Evening Prayer of the Church) and Benediction on the Feast of the Most Holy Trinity, 6pm on Sunday 12th June.

There will be brief practices, open to everyone, after Sunday 9.30am Mass on 29th May and 5th June and after Mass on Thursday 9th June at 7.00pm. There will also be a final run through at 5.30pm on 12th June before the service at 6.00pm.

All are invited to the Sung Vespers and all are welcome to join the Schola. No particular skills or experience needed.

Thank you. Fr. Peter

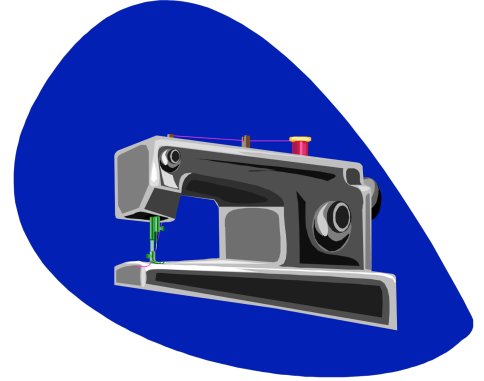
## Last weekend we had an appeal for the Missions by Sr. Ann Ugoh of the Daughters of Divine Love.

She thanks you for your generosity and for your warm welcome. You raised £622.41 in the collection in church and the card reader brought in £101 giving a total of £723.41.

## SVP Appeal

The SVP would like to thank you for donating 6 sewing machines so far. However, we are still appealing for more **second hand portable sewing machines, hand or electric.**

If you have one you no longer have use for, please consider donating it to the refugees. Either bring it to Church or we can pick it up. Please phone 01282 854437 to arrange a collection. Thank you.



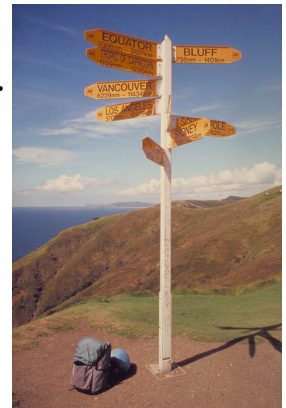
## Craft stall in the hall after Mass Sunday 5th June

Next Sunday, 5th June there will be a craft stall in the hall after Mass. Please call down for a look at the varied items on sale. All money taken that day and over the future weeks will go towards the cost of refurbishing the sacred vessels.

**Cash only.**  
Thank you.

## Invitation to a walk with the Catenians

Parishioners are invited to join Broughton Catenians for a **3.5 mile walk at 6.15pm on Thursday 7<sup>th</sup> July** from the Tempest Arms at Elslack. There will be a buffet supper available in the pub after the walk, cost is £5 per head. All are welcome. If you'd like to know more please contact Pius Adefuye on 07599 840018.



This week sees the celebration of the Platinum Jubilee of Her Majesty the Queen. We congratulate Her Majesty on her 70 years of dedicated service and her fidelity to her coronation oath. We also wish our parishioners a joyful celebration of the Bank Holiday.



***If you wish to make a single or recurring donation to Good Shepherd parish using your phone, please scan the code on the left.***

***It will give you the option to gift aid your donation.***

***It is secure and we will receive at least 99.97% of your donation.***

# A message from CAFOD in the Salford Diocese

## The paradox of abundance

Over 800 million people go hungry each day. The world produces over 4 billion tonnes of food and we only need 3.7 billion tonnes to feed everyone. Of this food produced, a third is wasted.

St John Paul II called this 'the paradox of abundance.' Clearly the currently global food system is not working. Pope Francis says, **"Each of us has a role to play in transforming food systems for the benefit of people and the planet."** Let's respond to his call! CAFOD's new campaign is called **Fix the Food System**. See [www.cafod.org.uk/food](http://www.cafod.org.uk/food) for more information, including an invitation for parish groups to learn about the impact of our food with our *Fix the Food System* resources.

Alternatively please contact Simon Holleron 077 100 944 54 or [sholleron@cafod.org.uk](mailto:sholleron@cafod.org.uk)

**Simon Holleron**

Community Participation Coordinator

CAFOD in Salford

I also support CAFOD's work in schools in the Shrewsbury Diocese

Mobile 077 100 94454

I usually work every Tuesday, Wednesday and Thursday.

(This may vary as circumstances require.)

Our new address:

CAFOD in Salford, Caritas House, Collyhurst, Manchester. M4 4FA

Please ring before visiting, to ensure that one of us is in to welcome you.



**We politely request that all donations are sent directly to Romero House at the address below; not to Caritas House.**

**If the matter is urgent on either Monday or Friday please contact John Woods [jwoods@cafod.org.uk](mailto:jwoods@cafod.org.uk) or Mobile 07789 874640.**

The Catholic Agency for Overseas Development (CAFOD) is the official aid agency of the Catholic Church in England and Wales and part of Caritas International. Registered charity number 1160384. Company limited by guarantee registered in England and Wales number 09387398.

Registered office: **Romero House, 55 Westminster Bridge Road, London SE1 7JB**



**Join us to fix the broken  
food system.  
Email the Foreign  
Secretary now.**

Would you like the Gospel of the day, along with an image of a work of art and a short reflection linking the two to drop into your mail box each day? And for free! Patrick van der Vorst was an auctioneer at Sotheby's in London for fifteen years. He then set up his own online art valuation company, ValueMyStuff.com with over half a million customers. In 2018 he sold the company and went to the Beda College in Rome to study for the Catholic Priesthood. He will be ordained Deacon in June this year. He is passionate about art and how it can speak to the soul. He now produces this website which helps people to read the Gospel of the Day and see a work of art which can offer something connected to it. He gives just a few thoughts. It's free to sign up with no obligation. Just supply your name and email address and each morning the Word of God will be in your inbox with something to look at and contemplate. Click the link to see more.  
<https://christian.art/>