



**THE GOOD SHEPHERD PARISH
WORSHIPPING AT
SACRED HEART CHURCH.**

**25 QUEEN STREET, COLNE.
LANCASHIRE BB8 9NB**

Telephone: 01282 863135
Website: www.goodshepherdpendle.org.uk
email: enquiries@goodshepherdpendle.org.uk



This week

22nd May in Sacred Heart church.

Sunday Mass: Tuesday, Wednesday and Friday
Saturday Vigil 6.00pm, 10.00am
Sunday, 9.30am Holy Mass.

Thursday 5.45pm
Ascension Thursday Exposition of the Blessed Sacrament and Benediction
6.30pm **Mass**

Saturday 11.00am - 11.30am Sacrament of Reconciliation (Confessions)

and next week

29th May in Sacred Heart church.

Sunday Mass: Saturday Vigil 6.00pm, Sunday, 9.30am

Saturday 11.00am - 11.30am Sacrament of Reconciliation (Confessions)

An Easter Prayer to Our Blessed Lady.

The Regina Caeli.

V. Queen of Heaven, rejoice, alleluia.
R. For He whom you did merit to bear, alleluia.
V. Has risen, as he said, alleluia.
R. Pray for us to God, alleluia.
V. Rejoice and be glad, O Virgin Mary, alleluia.
R. For the Lord has truly risen, alleluia.

Let us pray. O God, who gave joy to the world through the resurrection of your Son, our Lord Jesus Christ, grant we beseech you, that through the intercession of the Virgin Mary, His Mother, we may obtain the joys of everlasting life. Through the same Christ our Lord. Amen.

Friendship and Bereavement group

This group will RESUME on Wednesday 1st of June at 10.30 am in Sacred Heart

Presbytery kitchen for coffee/tea, biscuits and a chat. Future outings to be discussed. All are welcome.



Each week in Holy Saviour Church, Nelson.

Sunday Mass 11.15am, further information from [St. John Southworth newsletter \(click here\)](#)

SCHOLA CANTORUM

Thank you to those who have shown some enthusiasm for forming a "Schola" at Sacred Heart. We will soon be preparing to lead Sung Vespers (Evening Prayer of the Church) and Benediction on the Feast of the Most Holy Trinity, 6pm on Sunday 12th June - Trinity Sunday.

There will be brief practices for those who can make it after Sunday 9.30am Mass on 29th May and 5th June and after Mass on Thursday 9th June at 7.00pm. There will also be a final run through at 5.30pm on 12th June before the service at 6.00pm.

Please come to whichever rehearsals you are able. We can then pull it all together on the 12th

Thank you. Fr. Peter

This weekend we are delighted to welcome Sister Anna Ugoh who is a member of the Daughters of Divine Love congregation. She will be making an appeal.

The Daughters of Divine Love is an International Congregation founded in Nigeria in 1969 and a member of the Missionary Sisters of England and Wales. They educate, care and add value to the lives of the less privileged in society. Their charity home in Nigeria provides care and education for orphans, motherless, abandoned children, street children/teenagers and children with special needs. Their aim is always to serve the less privileged and the marginalised in the society. In everything that they do, the Love of Christ impels them to respond to the cry of the poor and the vulnerable with concrete actions. Please give generously.

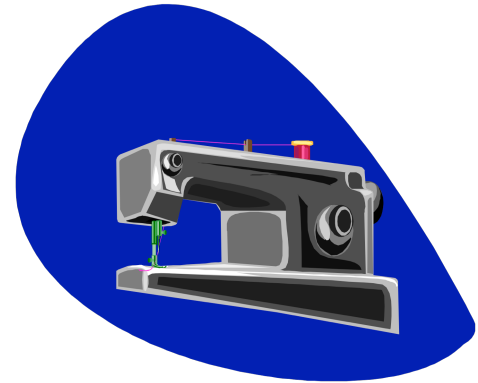
SVP Appeal

The SVP would like to thank you for all your help in welcoming the refugees in the area. Many of the women can sew and are used to making their own traditional clothes.

We are appealing for second hand portable sewing machines, hand or electric.

If you have one you no longer have use for, please consider donating it to the refugees. Either bring it to Church or we can pick it up.

Please phone 01282 854437 to arrange a collection. Thank you.



Have you lost something?

Sometimes people leave things behind in church or in the hall. Except when the church or hall are in use, recovering these things or checking up on them can be difficult and inconvenient. However, if you do leave something in church, please ask in the sacristy if anyone has handed it in. At the moment we have a step counting watch and a gold chain. Would claimants please form an orderly queue?

Thank you.

Donating to the parish

The current offertory envelopes run out on 29th May. Thank you to all who have recently collected new envelope boxes, completed standing order mandates and gift aid forms. Standing order and gift aid forms remain available on the noticeboard in the Church entrance.. If anyone wishes to collect a box of envelopes, please get in touch with the parish office (telephone 863135 and leave a message or email enquiries@goodshepherdpendle.org.uk). Many thanks for all donations received.



The Good Shepherd, Colne

If you wish to make a single or recurring donation to Good Shepherd parish using your phone, please scan the code on the left. It will give you the option to gift aid your donation. It is secure and we will receive at least 99.97% of your donation.

